

# FIREPRO CENTABUILD

HEAD OFFICE: AUCKLAND (09) 579 0367

CHRISTCHURCH (03) 379 9364

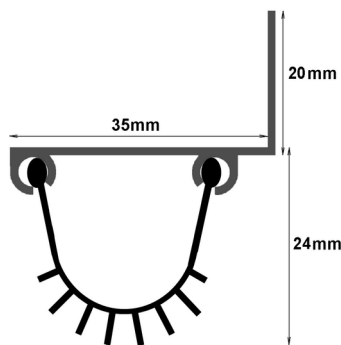
[www.firepro.co.nz](http://www.firepro.co.nz) [sales@firepro.co.nz](mailto:sales@firepro.co.nz)

CI/SfB

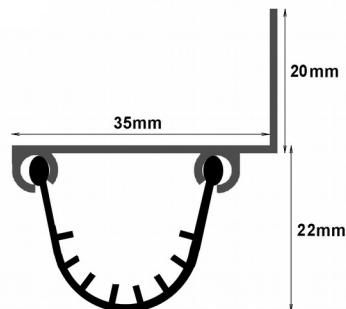
DOOR BOTTOM SEALS DATASHEET – Mar 14

Product specifications  
can change. Contact  
us to ensure you have  
our latest datasheet

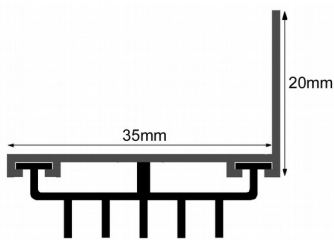
## ROLLER & TILT DOOR BOTTOM SEALS



ULV is primarily designed for use at the bottom of overhead roller doors, it is highly compressible and is ideal as a barrier to water, draft, dirt, and insects.



ULW is the ULV seal with the flexible insert reversed to get a smooth, easily cleaned surface.



DLU is suitable for roller doors and tilt doors. It is suitable for under door gaps of up to 12mm.

Note: Several other Centabuild Door Seals are suitable for garage doors, see these datasheets:

- Brush Pile Seals
- Large Brush Seals
- PVC Compression Seals
- QLon Seals

*NOTE: The technical information and suggestions for use and application presented herein represent the best information available to us and are believed to be reliable. If used beyond the situations detailed on this datasheet we advise confirming their suitability before installation. All dimensions are nominal.*

**We reserve the right to make changes or to withdraw designs and products without notice.**