

FIREPRO CENTABUILD

HEAD OFFICE: AUCKLAND (09) 579 0367
 WELLINGTON (04) 568 7086 • CHRISTCHURCH (03) 379 9364
 www.firepro.co.nz sales@firepro.co.nz

Product specifications can change. Contact us to ensure you have our latest datasheet

FIREPRO SYSTEM 90 Fire Resistant Glazing Channel

Georgian Fire Rated Glass panels (note: size below) can achieve greater fire resistance using Firepro's System 90 Glazing Channel. In a fire the intumescent channel holds the glass firmly, preventing cracking and the glass slumping as it softens. Using Georgian Wired Glass 2 hour fire protection has been achieved on non-combustible doors and 1 hour on wooden doors. Tests have also been carried out on specialist glasses such as Pyran and Firelite. Available from Firepro Centabuild Ltd, System 90 has proved its effectiveness in fire door tests in the United Kingdom and in New Zealand. System 90 is attractive, simple to install and economical.

SPECIFYING INFORMATION

In addition to the glass itself, there are four essential components required to make up the complete System 90, providing designated fire resistance to any glazed aperture:

1. Extruded glazing channel
2. Hardwood glazing beads
3. Intumescent lining for aperture
4. Intumescent finish coating for glazing beads

1. GLAZING CHANNEL: Overall Dimensions - 27mm x 27mm and including 22mm deep slot to accept nominal thickness 6mm Georgian Wired Glass or other fire rated glass of similar thickness. Length - 1000mm

2. HARDWOOD GLAZING BEADS: Solid hardwood mouldings. Two are required, one on each side of the glass, as per drawing (beads not supplied with System 90 channel).

3. INTUMESCENT LINING: Wired reinforced intumescent sheet to be stapled or glued as a lining around all exposed surfaces of the aperture to be glazed. Not required for 1/2 hour fire resistance.

4. INTUMESCENT FINISH COAT: Firepro Clear or coloured intumescent finish to be applied to timber beads, providing additional protection from radiated heat.

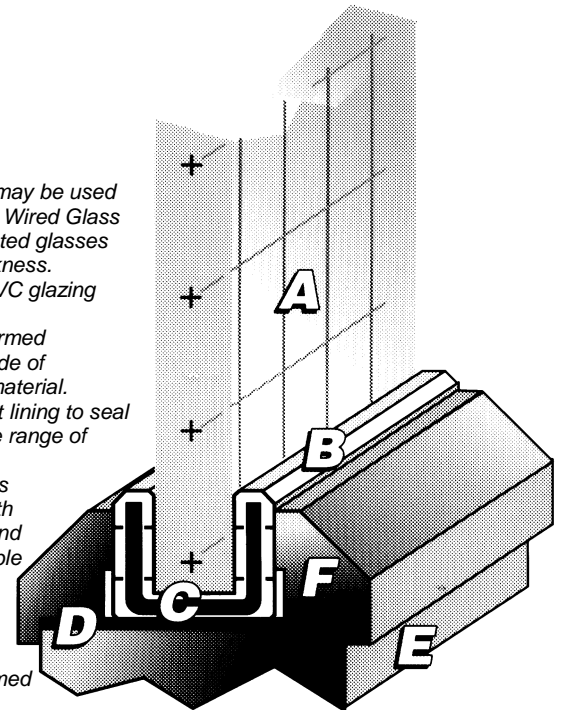
MAXIMUM SIZE OF GLASS - Please check with Firepro for latest test data.

OPERATIONS

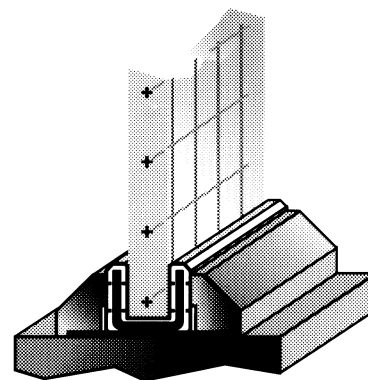
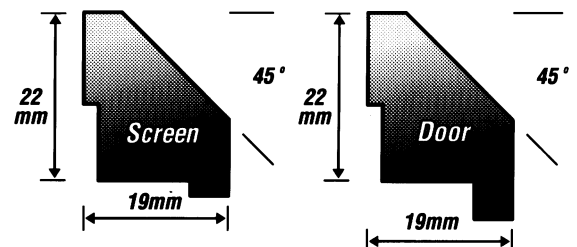
In the "cold" condition, System 90 channel is designed to engage firmly with glass of widely varying dimensional tolerances. Hardwood or metal beads are used to retain the channel centrally in the construction.

In the "hot" condition, the retaining beads act as a mould for the "U" shaped intumescent material which expands to form a stable insulating perimeter seal around the glass, preventing slump and loss of fire integrity. The intumescent lining prevents break-through underneath and around the aperture as the combustible substrate is charred away.

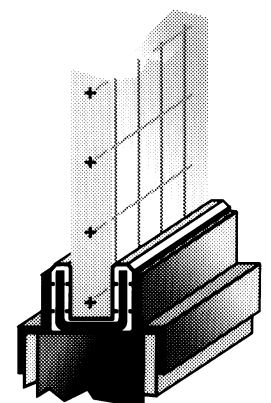
- A** System 90 may be used with Georgian Wired Glass or other fire rated glasses of similar thickness.
B Extruded PVC glazing channel.
C Specially formed reinforced grade of intumescent material.
D Intumescent lining to seal against a wide range of substrates.
E System 90 is compatible with combustible and non-combustible door leaf constructions and may also be used in hardwood framed screens.
F Cover beads, decorative only, any dense hardwood timber species may be used, screwed or pinned in position. May also be used with uPVC or metal cover trims.



Glazing Beads



Typical arrangement for 1 hour performance in a hardwood framed glazed screen



Typical arrangement for 2 hour performance on a door leaf with non-combustible core.

NOTE: The technical information and suggestions for use and application presented herein represent the best information available to us and are believed to be reliable. They should not however be construed as controlling suggestions and there is no warranty of performance of our materials either expressed or implied. We urge that users of our materials conduct confirmatory tests to determine final suitability for their specific end uses. All dimensions are nominal. We reserve the right to make changes or to withdraw designs and products without notice.