

FIREPRO CENTABUILD

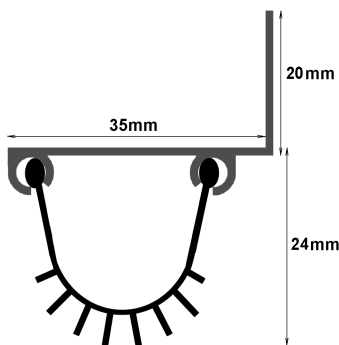
HEAD OFFICE: AUCKLAND (09) 579 0367
WELLINGTON (04) 568 7086 • CHRISTCHURCH (03) 379 9364
www.firepro.co.nz sales@firepro.co.nz



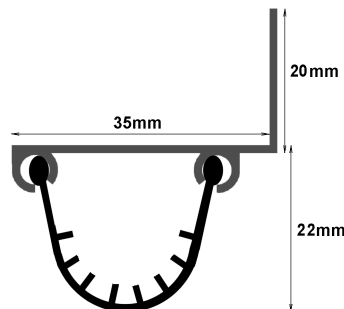
DOOR BOTTOM SEALS DATASHEET - AUG08

Product specifications
can change. Contact
us to ensure you have
our latest datasheet

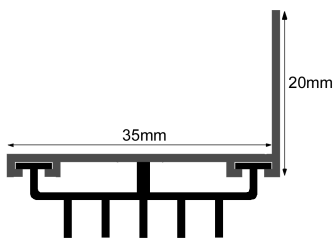
ROLLER & TILT DOOR BOTTOM SEALS



ULV is primarily designed for use at the bottom of overhead roller doors, it is highly compressible and is ideal as a barrier to water, draft, dirt, and insects.



ULW is the ULV seal with the flexible insert reversed to get a smooth, easily cleaned surface.



DLU is suitable for roller doors and tilt doors. It is suitable for under door gaps of up to 12mm.

Note: Several other Centabuild Door Seals are suitable for garage doors, see these datasheets:

- Brush Pile Seals
- Large Brush Seals
- PVC Compression Seals
- QLon Seals

NOTE: The technical information and suggestions for use and application presented herein represent the best information available to us and are believed to be reliable. They should not however be construed as controlling suggestions and there is no warranty of performance of our materials either expressed or implied. We urge that users of our materials conduct confirmatory tests to determine final suitability for their specific end uses. All dimensions are nominal. We reserve the right to make changes or to withdraw designs and products without notice.