

# FIREPRO CENTABUILD

HEAD OFFICE: AUCKLAND (09) 579 0367  
WELLINGTON (04) 568 7086 • CHRISTCHURCH (03) 379 9364  
www.firepro.co.nz sales@firepro.co.nz

CI/SfB

B350, B351 DATASHEET - AUG08

Product specifications can change. Contact us to ensure you have our latest datasheet

## FIREPRO B350/B351

### WALL ACCESS FIRE RATED HATCHES

- Provide access through fire rated walls.
- For plaster board or concrete walls
- Simple to Install.
- Big range of Sizes.
- B350: -/120/90 Fire Rating.
- B351: -/60/60 Fire Rating.

#### FIRE TESTING AND APPROVALS

B350 and B351 have been fire tested to AS/NZ 1530-4:1997 and BS476-22:1987.

B350 is tested for 120 Minute integrity and 114 minute insulation (-/120/90) and B351 for -/60/60, when used in walls of appropriate fire rating.

#### SIZES

B350 Stock Sizes are: (all measurements are nominal)

Dimension A	Dimension B	Dimension C
300 x 300mm	= A Plus 40mm	= A Less 100mm
510 x 510mm	"	"
600 x 600mm	"	"
800 x 600mm	"	"
920 x 620mm	"	"

#### Special sizes B350 and B351

Dimension 'D' can be increased for extra thick walls. Specify B350 or B351 "Special" and Dimension 'D' required.

B351 Stock Sizes are: (all measurements are nominal)

Dimension A	Dimension B	Dimension C
300 x 300mm	= A Plus 40mm	A Less 40mm
400 x 400mm	"	"
510 x 510mm	"	"
710 x 510mm	"	"
600 x 600mm	"	"
800 x 600mm	"	"
<b>900 x 600mm</b>	"	"

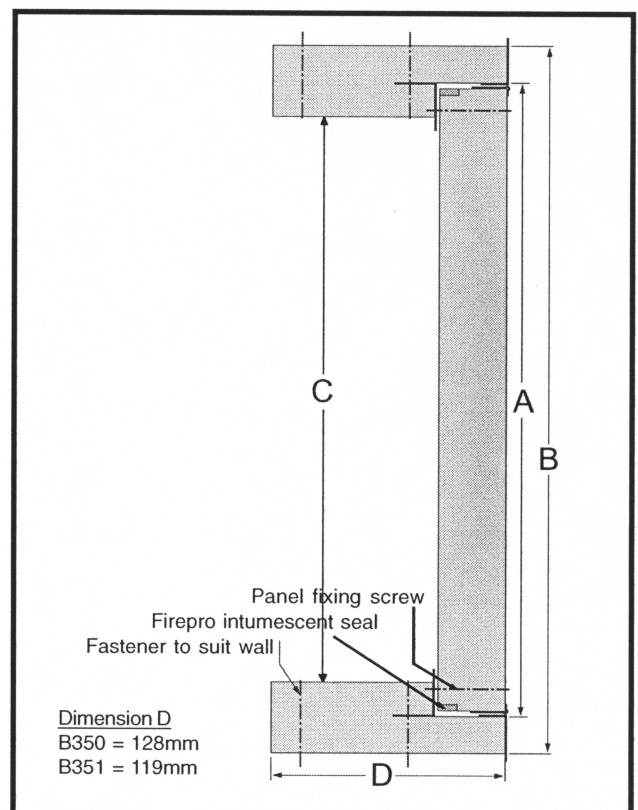
#### INSTALLATION

Trim opening to suit overall hatch dimensions with minimum clearance. Fit hatch and plumb up. Screw fix frame with screws provided to holes already drilled using a No. 2 Phillips cross recess bit - do not overdrive.

Screws provided are for timber or steel framed walls. For concrete wall installation replace with appropriate steel fastenings.

Seal trimming gap around hatch and framing with Firepro M707 Acoustic and Fire Sealant to both sides 10mm deep. Any gaps wider than 20mm will need additional sealant - see M707 Application Notes.

Fit 90° Slim angle provided and leave ready for stopping and painting.



NOTE: The technical information and suggestions for use and application presented herein represent the best information available to us and are believed to be reliable. They should not however be construed as controlling suggestions and there is no warranty of performance of our materials either expressed or implied. We urge that users of our materials conduct confirmatory tests to determine final suitability for their specific end uses. All dimensions are nominal. We reserve the right to make changes or to withdraw designs and products without notice.